

Installation - 3/4" bath taps

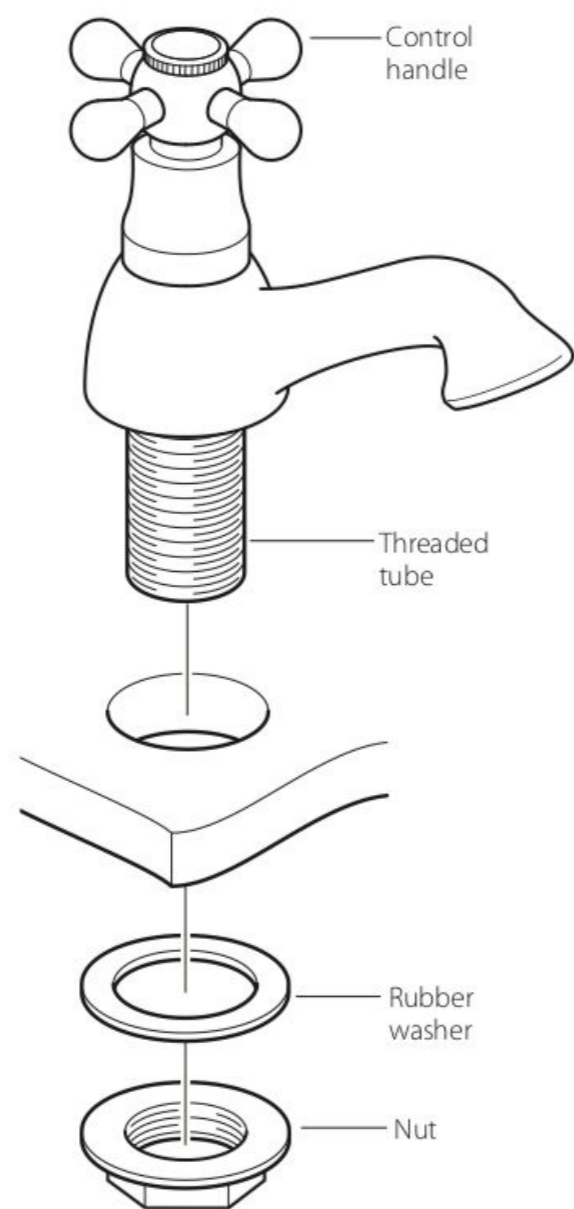
Before installing your new tap, flush through the pipe work to ensure removal of debris, turn off the water supply.

Identify the tap (hot) left hand side and (cold) right hand side.

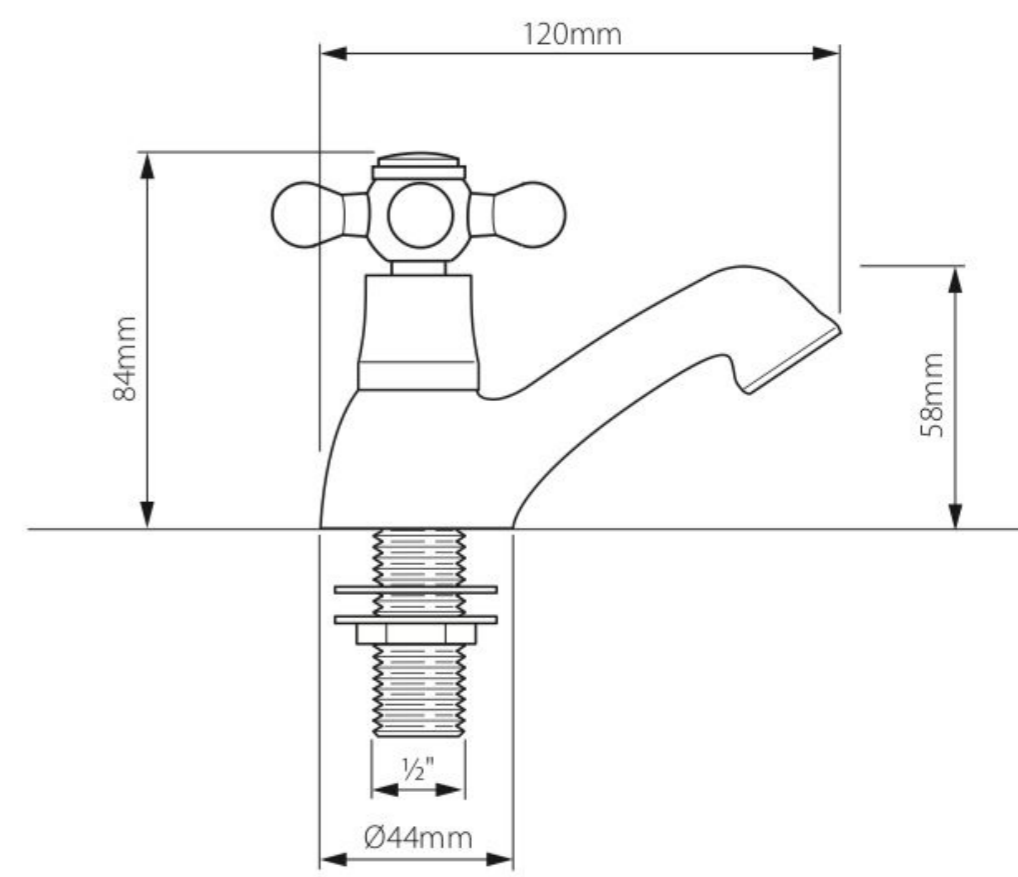
Position the tap on the bath. From the underside of the bath fit the rubber washer and nut. Tighten the nut to clamp the tap to the bath.

CAUTION: Do not over tighten the nut as this may damage the bath.

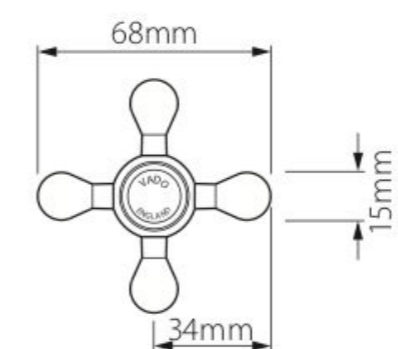
Connect the water supply to the inlet pipes. The hot water should be connected to the left hand tap and cold water to the right.



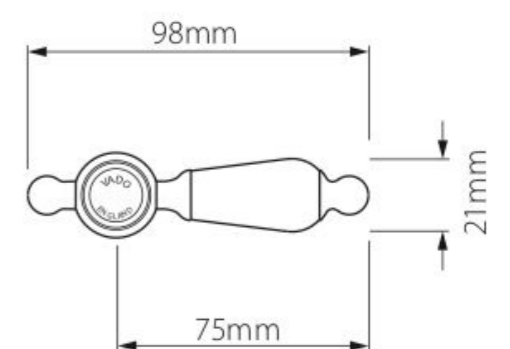
Dimensions - 1/2" basin taps



Victoriana basin tap



Victoriana handles

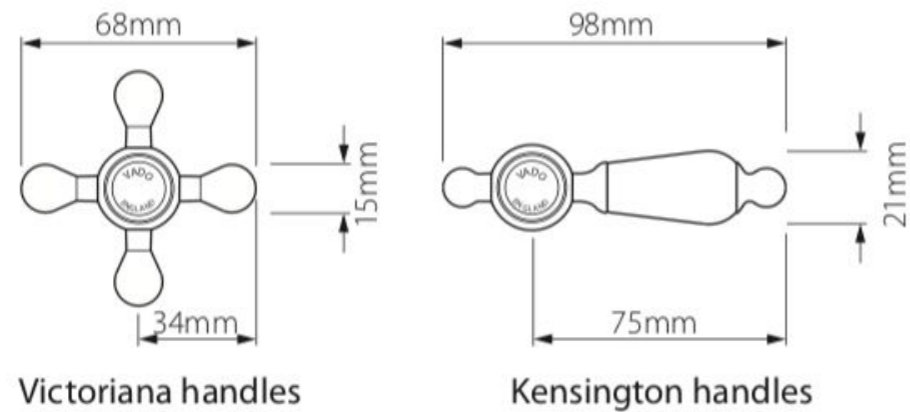
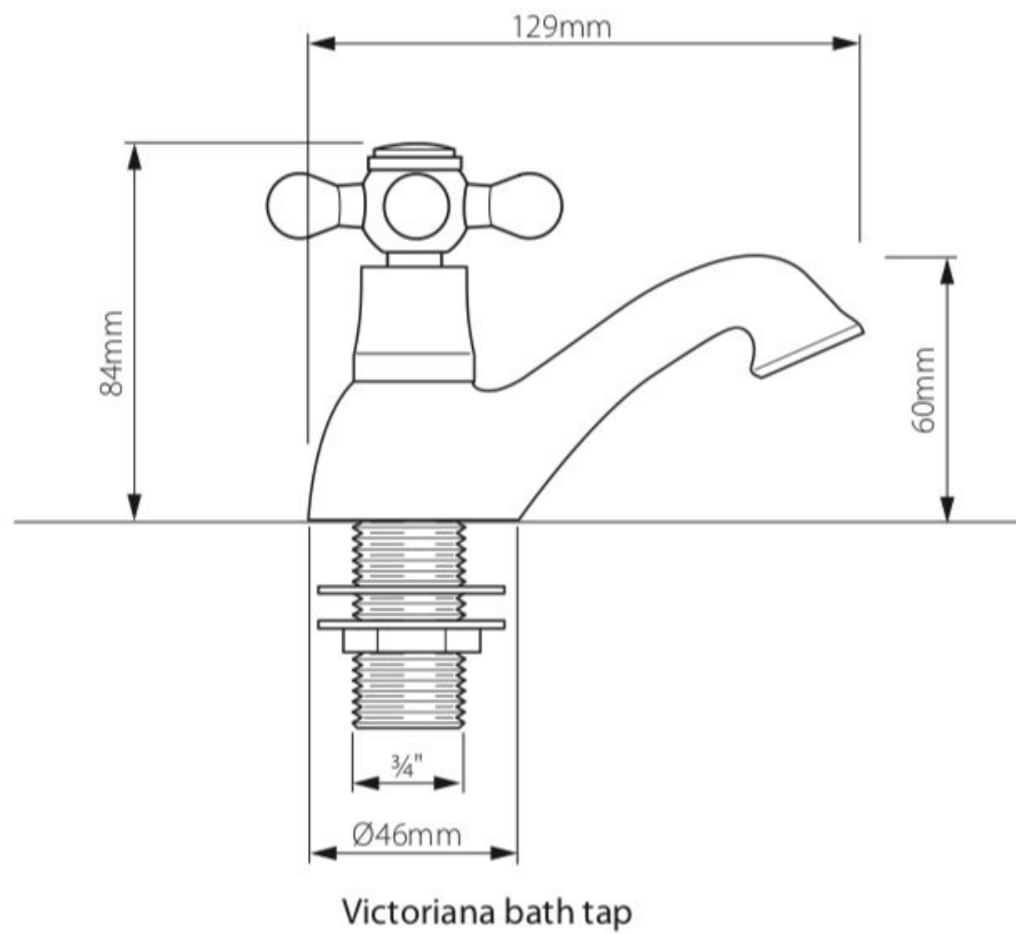


Kensington handles

Operating Specifications

Operating Pressure:
 Minimum operating pressure 0.2 bar
 Maximum operating pressure 5 bar

Dimensions - 3/4" bath taps



Operating Specifications

Operating Pressure:
 Minimum operating pressure 0.2 bar
 Maximum operating pressure 5 bar

Installation - 1/2" bath taps

Before installing your new tap, flush through the pipe work to ensure removal of debris, turn off the water supply.

Identify the tap (hot) left hand side and (cold) right hand side.

Position the tap on the basin. From the underside of the basin fit the rubber washer and nut. Tighten the nut to clamp the tap to the basin.

CAUTION: Do not over tighten the nut as this may damage the basin.

Connect the water supply to the inlet pipes. The hot water should be connected to the left hand tap and cold water to the right.

